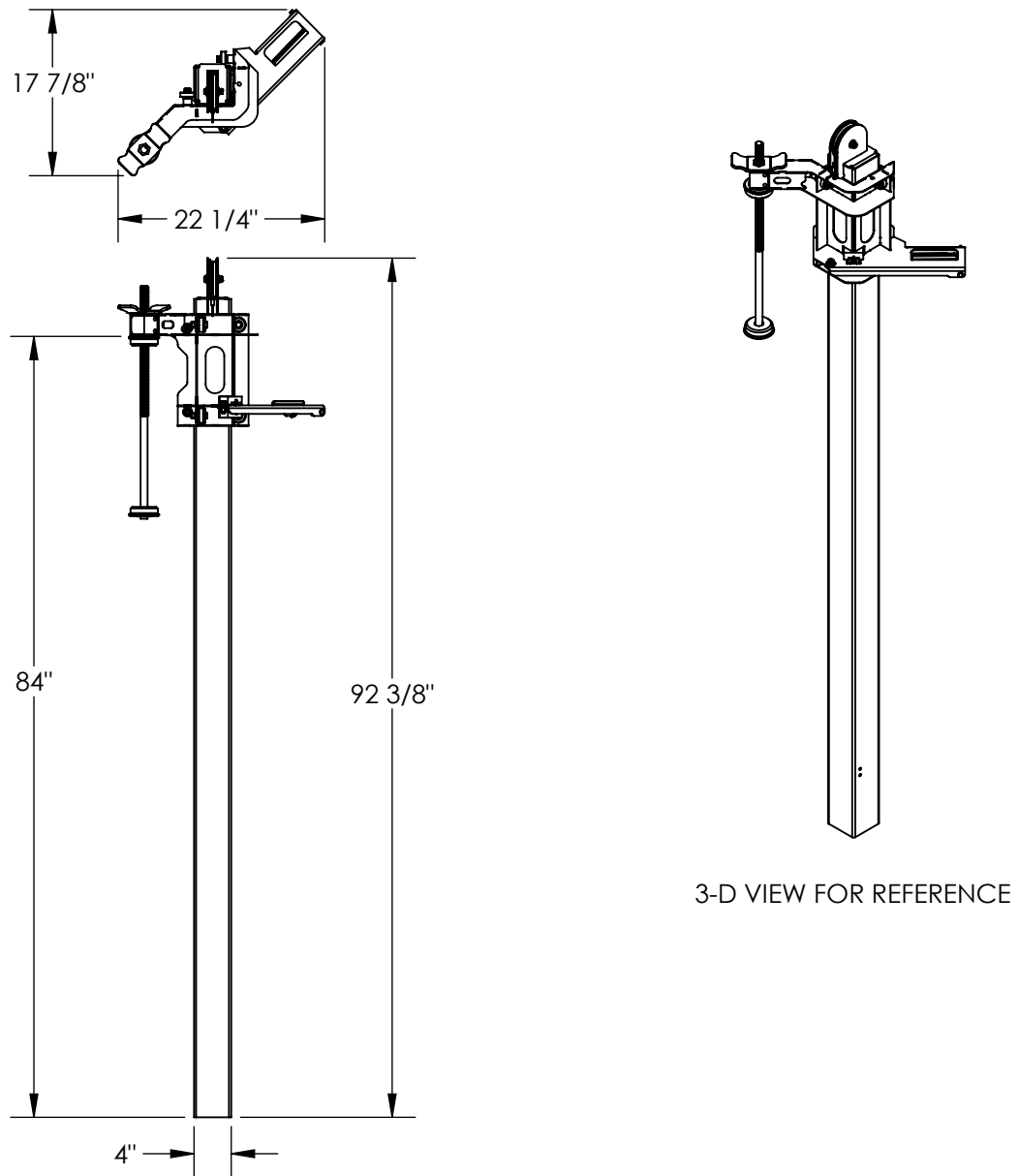


MANUAL MAST OPTION (FIELD INSTALLED) - SWA-5070LP-M-RF

APPROX WEIGHT: 96.05 lbs.
DOES NOT INCLUDE WEIGHT OF POWER OR PACKAGING!!!

ANY ADDITIONS, DELETIONS, OR OMISSIONS MUST BE CORRECTED ON THIS DRAWING AS THIS DRAWING WILL BE CONSIDERED ALL INCLUSIVE



ALL GRAPHICS PROVIDED ARE FOR REFERENCE ONLY. IF CERTAIN DIMENSIONS ARE CRITICAL PLEASE VERIFY THOSE DIMENSIONS WITH YOUR SALESPERSON

STANDARD FEATURES

- MODEL NUMBER IS SWA-5070LP-M-RF
- OVERALL WIDTH IS 22 1/4"
- OVERALL HEIGHT IS 92 3/8"
- WRAP HEIGHT IS 84"
- FRAME IS TOUGH BAKED IN POWDER COAT BLUE FINISH
- CARRIAGE IS TOUGH BAKED IN POWDER COAT YELLOW FINISH

DIMENSION TOLERANCE ± 1/4"

SPECIAL FEATURES

NONE

APPROVAL	I, THE UNDERSIGNED, AGREE THAT THE PRODUCT AS REPRESENTED SATISFIES DESIGN AND DIMENSION REQUIREMENTS. I ALSO ACKNOWLEDGE MY DUTY TO CONFIRM PRODUCT AND INSTALLATION COMPLIANCE WITH ALL APPLICABLE FEDERAL, STATE AND LOCAL REGULATIONS AND STANDARDS.	
	ANY MODIFIED UNITS ARE NON-RETURNABLE	
	[] As drawn [] As marked	
	Signed: _____	Date: _____
	Printed Name: _____	
	LEAD TIME WILL START UPON RECEIPT OF SIGNED APPROVAL DRAWING	

FOR INTERNAL USE ONLY PROJECT SIGN OFF		DISTRIBUTOR'S NAME:		P.O.#
		VESTIL MANUFACTURING		X
SALES		DRAWN BY: SJA	DATE: 3/13/2017	W.O.#
ENG.		REFERENCE: X	SCALE: 1:20	X
FAB.		QUOTED LEAD TIME: X	QUOTE #	SALES: X
POWER			X	FILE NAME:
				20-007-191-003